



| Granulators GOLIATH Plus | | GPlus 1 | | | GPlus 2 | | | GPlus 3 | | | GPlus 4 | | |
|--------------------------------|--------|--------------|------|------------|--------------|----------|------|--------------|------|----------|--------------|------------|------|
| Gear motor position | | Vertical | | Horizontal | | Vertical | | Horizontal | | Vertical | | Horizontal | |
| kW | | 0,75 | 1,5 | 2,2 | 0,75 | 1,5 | 2,2 | 0,75 | 1,5 | 2,2 | 0,75 | 1,5 | 2,2 |
| Rpm | | 25 rpm | | | 25 rpm | | | 25 rpm | | | 25 rpm | | |
| Cutting chamber | | 229 x 172 mm | | | 229 x 265 mm | | | 229 x 359 mm | | | 229 x 453 mm | | |
| Number of cutters | | 1 | | | 2 | | | 3 | | | 4 | | |
| Cutters Ø | | 248 mm | | | 248 mm | | | 248 mm | | | 248 mm | | |
| Number of rollers | | 2 | | | 3 | | | 4 | | | 5 | | |
| Overall dimensions (mm) | | | | | | | | | | | | | |
| With B hopper and start/stop | length | 699 | 699 | 1048 | 793 | 793 | 1142 | - | 874 | 1234 | - | 968 | 1328 |
| | width | 678 | | | 678 | | | - | 678 | 678 | - | 678 | 678 |
| | height | 1240 | | | 1240 | | | - | 1330 | 1330 | - | 1330 | 1330 |
| With ABS | length | 1046 | 1046 | 1048 | 1140 | 1140 | 1142 | - | 1234 | 1234 | - | 1328 | 1328 |
| | width | 586 | | | 586 | | | - | 588 | 588 | - | 588 | 588 |
| | height | 1240 | | | 1240 | | | - | 1330 | 1330 | - | 1330 | 1330 |
| With Masher | length | - | - | - | - | - | - | - | - | - | - | 1478 | 1478 |
| | width | - | - | - | - | - | - | - | - | - | - | 485 | 485 |
| | height | - | - | - | - | - | - | - | - | - | - | 1656 | 1656 |
| With C hopper and Start/Stop | length | 783 | 783 | 1048 | 878 | 878 | 1142 | - | 1034 | 1234 | - | 1230 | 1328 |
| | width | 615 | | | 615 | | | - | 615 | 615 | - | 615 | 615 |
| | height | 1275 | | | 1325 | | | - | 1425 | 1425 | - | 1466 | 1466 |
| With ABS | length | 1046 | 1046 | 1048 | 1140 | 1140 | 1142 | - | 1234 | 1234 | - | 1328 | 1328 |
| | width | 485 | | | 485 | | | - | 485 | 485 | - | 485 | 485 |
| | height | 1275 | | | 1325 | | | - | 1425 | 1425 | - | 1466 | 1466 |
| Weight (kg) | | | | | | | | | | | | | |
| Standard version | | 240 | | | 280 | | | 340 | | | 390 | | |
| MASHER version | | - | | | - | | | - | | | 500 | | |

| Granulators GOLIATH TWIN Plus | | GTwinPlus Masher | |
|--------------------------------|--|----------------------|--|
| Transmission | | By flexible coupling | |
| Kw | | 2 x 2,2 | |
| Rpm | | 25 rpm | |
| Cutting chamber | | 510 x 453 mm | |
| Number of cutters | | 7 | |
| Cutters Ø | | 248 mm | |
| Number of rollers | | 9 | |
| Overall dimensions (mm) | | | |
| Lenght : standard 2 x 2,2 kW | | 1503 | |
| Width | | 770 | |
| Height | | 1694 | |
| Weight (kg) | | | |
| Standard version | | 750 | |



Non contractual pictures - Imprimerie Ranchon 04 78 20 61 68



Know-how & innovative Technology
To serve **low speed**

Slide System Goliath Plus
To make maintenance and cleaning easier



GPlus 4 MASHER,
ABS, IMD, soundproofed
C hopper, open block.

GPlus 1



GPlus 2



GPlus 3



GPlus 4



GOLIATH PLUS

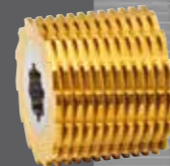
30 years experience
in low speed technology !

To improve grinding process directly beside the IMM, to come up to recycling constraints; to make the maintenance easier. The 25 rpm, and the resulting torque, permit to:

- avoid overheating during recycling,
- less dust, to optimise quality granules,
- less noise,
- less wear of cutting elements and motor,
- minimized footprint,
- fast and very simple cleaning.

The teeth unique conception, both trapezoid & helical, gives an optimum quality of granules. 3 types as standard: tpz5, tpz6 and tpz8.

Specific steel coating, to protect cutting elements during recycling of abrasive material.
Optional: titanium coating wear.



The ABS system cabinet handled by automatic cycle and operator dialogue terminal with a front LCD screen (parameters, alarms, various clocks).

* Vertical or horizontal, gear motors from 0.75Kw to 2.2Kw.

** Available according to your need, hopper B or C
Optional : automatic hopper

Masher system - available on Goliath Plus and Goliath Twin Plus (option)

This patented system will accurately pull large bulky reject parts into the cutting chamber. The rotational cutters of the Masher are assembled on a rotating shaft fixed in a frame which is located between the hopper and the cutting chamber. These cutters will grab the parts and direct them easily into the cutters of the cutting chamber.



GPlus 1,
vertical gearmotor*,
hopper B**

GPlus 2,
horizontal gearmotor*,
hopper C**

Slide System Goliath Twin Plus
To make maintenance and cleaning easier



Patentiertes System



Integrated Metal
Detection, the
technological advance

IMD (Integrated Metal Detection)

This new patent pending concept, was designed to avoid serious damages in case of a metallic part falling down into the cutting chamber.

Actually, as soon as a metal part is detected by this system (by contact between 2 areas in the cutting chamber), the GoliathPlus granulator rotor stop within 40 milliseconds. The operator will read at the same time, on the LCD screen of the electrical cabinet, the corresponding malfunctioning message.



The significant advantages for the user are:

- To maintain productivity as the production is stopped only during the cutting chamber cleaning,
- A significant saving in repair cost (cutting chamber, press screw, mould, etc...).

This process is available in 2 versions:

- Electrical cabinet with ABS system,
- With stop start button, without ABS system.

Ask for more info !

GOLIATH TWIN PLUS

The GOLIATH TWIN Plus capacity !

The GOLIATH TWIN Plus granulator has the same advantages as the Goliath Plus, assuring you an optimal regrind of bulky part and higher output.

With a seven-precutter twin rotors issued from the Goliath Plus technology, the efficiency is doubled thanks to two gear motors (2 x 2.2 kW) and a bigger cutting chamber (504 x 457 mm).

The ABS system is available as option on twin rotors.



The ABS system cabinet

Handled by an automatic cycle. An operator dialogue terminal, with a front LCD screen, enables to select the appropriate parameters, to display alarms, to consult their history and the various clocks.

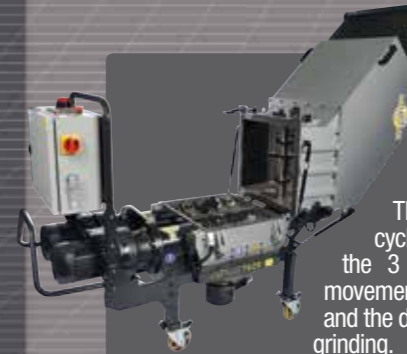
Optional : bin with level sensor with paddles (ROTONIVO).



Open hopper

On the Goliath Twin Plus granulator equipped with Masher system, the ABS system (on the 2 rotors and the Masher shaft) is included as standard.

The Masher is run by an automatic cycle which checks permanently each of the 3 gear motors and fits the rotational movement and the stops according to the form and the dimension of the parts, providing the best grinding.



Reversibles combs and counter-combs
The lifespan is doubled.

