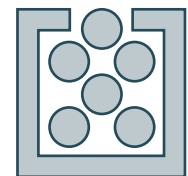
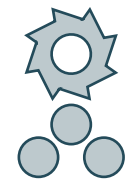
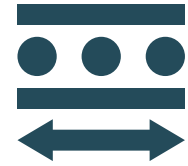
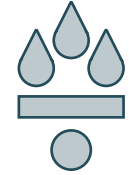




FEEDING ACCESSORIES

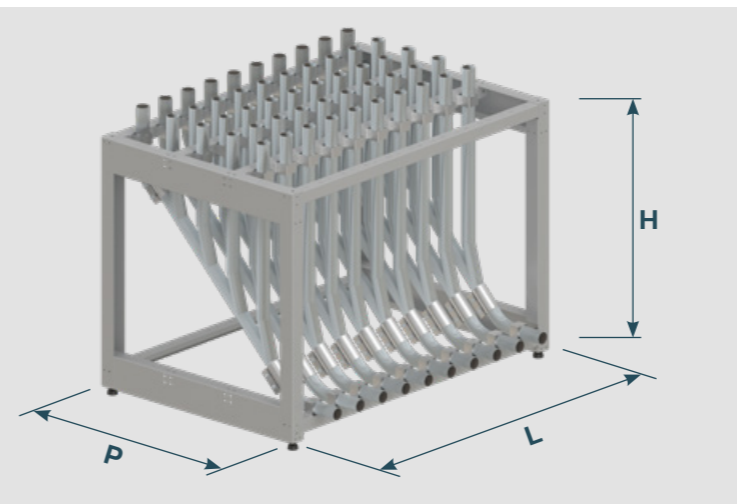
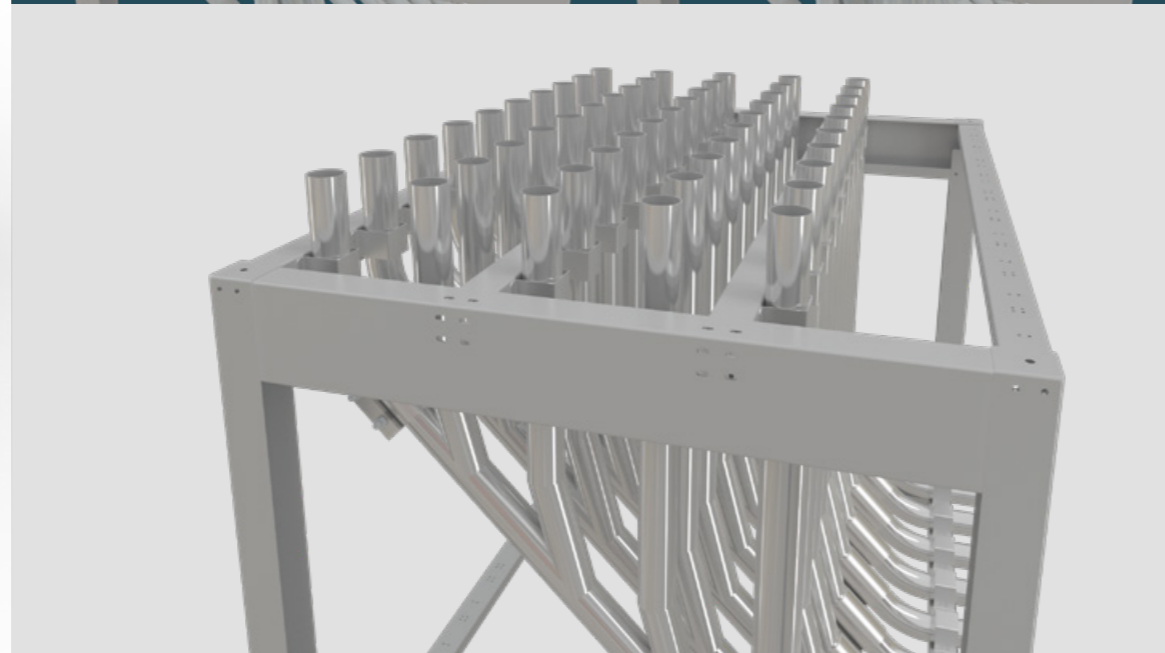
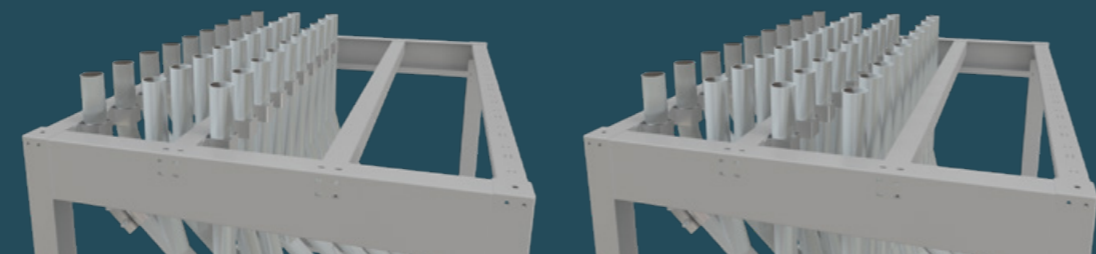


VISMEC
LEADING INNOVATION



MANUAL MANIFOLD

The Manual Manifold is available in multiple modular painted frames of up to 5 or 10 stainless steel branches. Each inlet can have 3, 4 or 5 outlets. For abrasive plastic materials are available special treated high resistance VIS-CARB branches.



MODEL	H [mm]	L [mm]	P [mm]
5 branches	1105	783	1047
10 branches	1105	1408	1047

▶ manual distribution table with 8 material inlets and 24 (3 x 8) outlets with aluminum camlock type quick connections

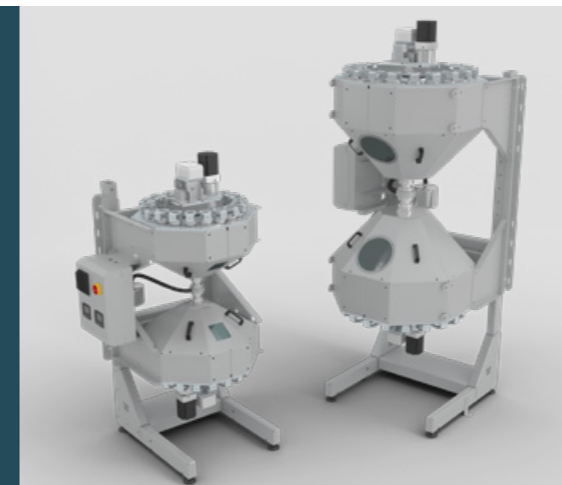
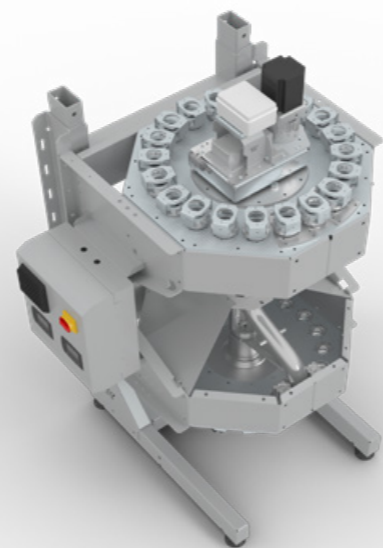
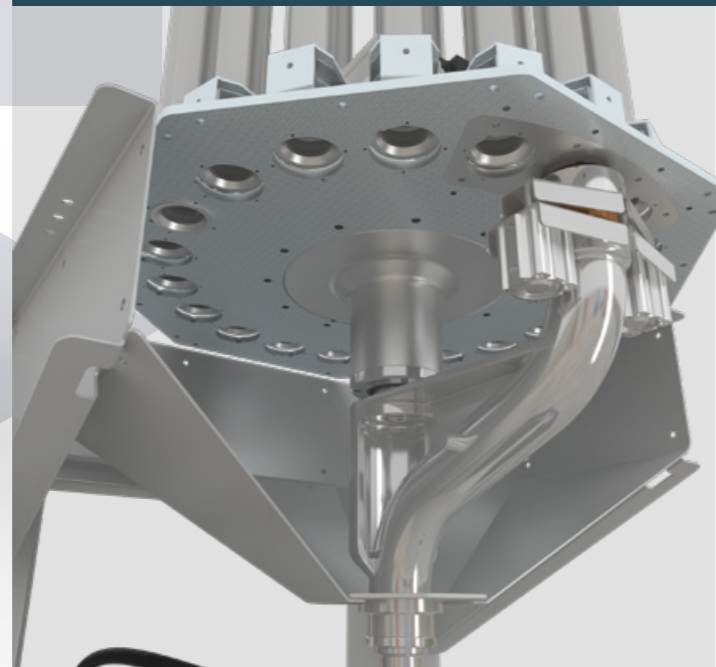
◀ manual distribution table with 9 material inlets and 27 (3 x 9) outlets with short twist stainless steel quick connections



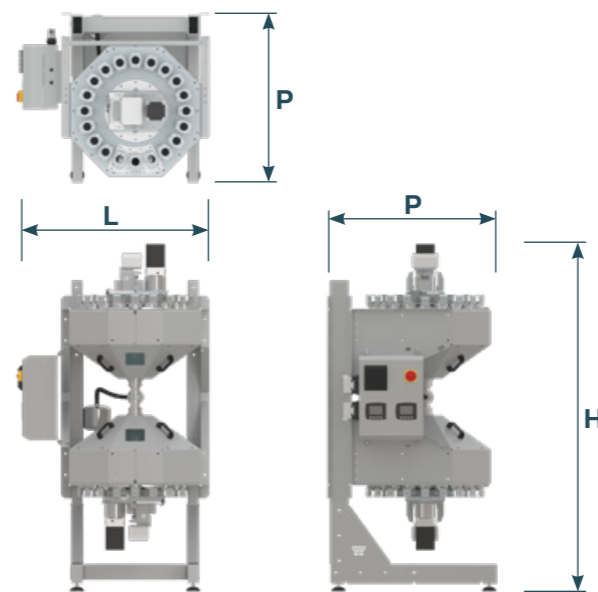
AUTOMATIC MANIFOLD



The VISMEC automatic manifold allows to automatically connect a multiple of up to 24 materials with a multiple of up to 22 machines by simply pressing a few buttons. The exclusive drive system with a heavy duty step motor allows a quick positioning with extreme precision and the special developed clamping system guarantees a perfect seal with no vacuum loss. All parts in contact with the plastic material are in high resistant stainless steel suitable also for abrasive materials. As an option a high pressure quick airblast over cleaner is available to keep the common track free of granules and dust. The automatic Manifold allows to save floor space and eliminates any mechanical operation by operators in production.



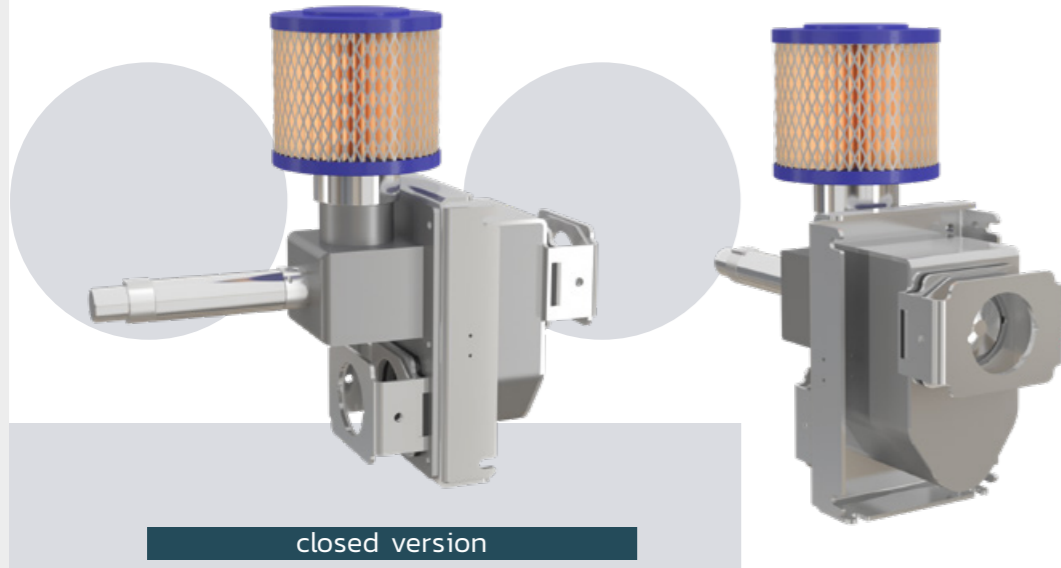
CODE	Diameter [mm]	H [mm]	L [mm]	P [mm]	Inlets/Outlets
02604	40	2050	1125	1000	24/24
02595	50	2050	1125	1000	20/20
02605	60	2825	1297	1182	20/20
03425	70	2825	1297	1182	20/20
03743	76	2825	1297	1182	20/20



full automatic manifold with 20 materials going to 20 machines



LINE CLEANING VALVES - PV



closed version

In order to prevent material blockages or in particular pre-dried material remaining for too long in the piping going from the storage room to the machines, a purge valve is necessary to clean the material pipes.

The main features are:

- completely made in stainless steel
- closed version with separate cylinder for material and air available
- open version with open air inlet available
- controlled from the loading system
- a single solenoid valve can control multiple purge valve

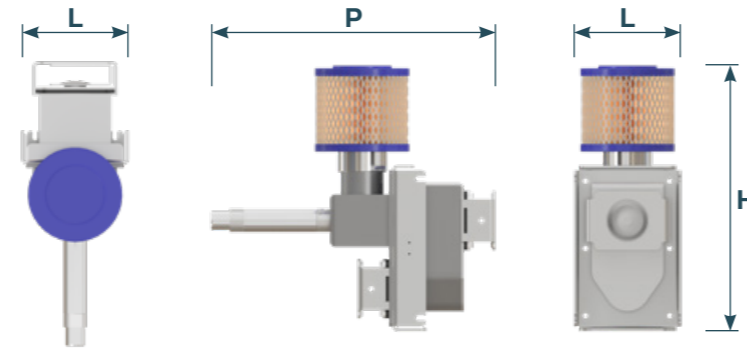
Main connections:

24 VDC 6/8 bar - 0,63 nl/cycle

ACCESSORIES

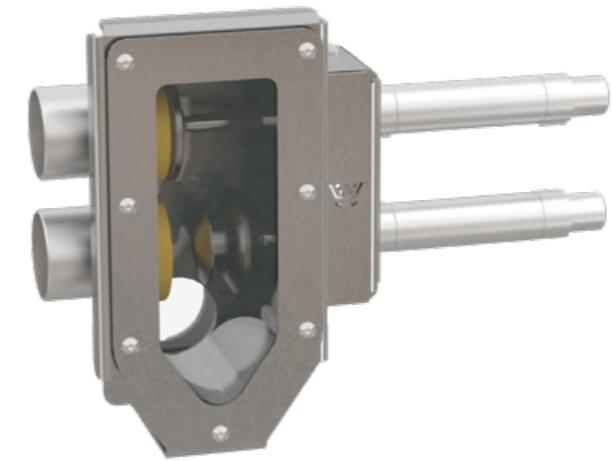


open version

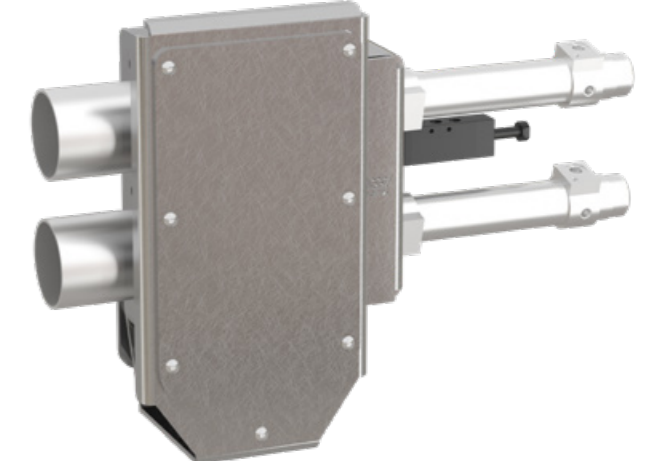


MODEL	Diameter [mm]	H [mm]	L [mm]	P [mm]
PV40	40	312	127	340
PV50	50	312	127	340
PV60	60	397	156	365
PV70	70	397	166	365

RATIO VALVES - VRV



version with seal



version without seal

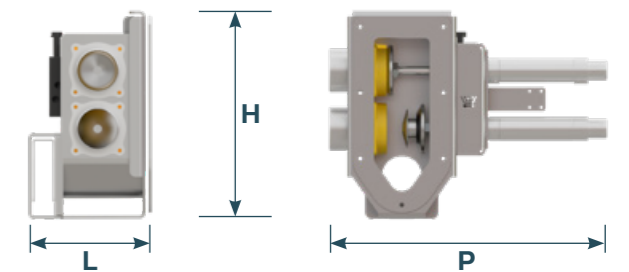
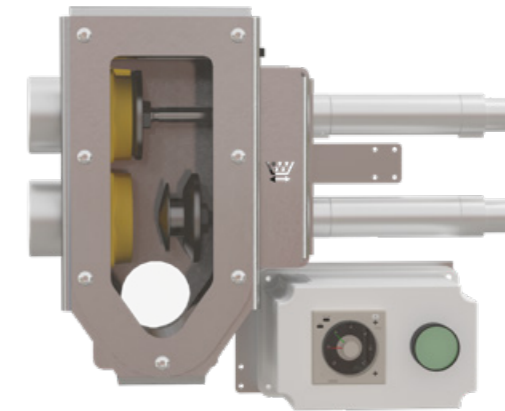
The Vismec Ratio Valves allows to convey alternately two main components, like two naturals or more common one natural and one regrind material, by setting simply the percentage of the second material.

The main features are:

- completely made in stainless steel
- contamination free design without hangups
- large sight glass to see the valve operation
- sealless version in alternative available
- suitable for high temperatures
- quick and easy receiver clamp connection
- controlled by the Vismec hopper loader
- available in 24VDC or 230 VAC
- optional integrated manual timer

Main connections:

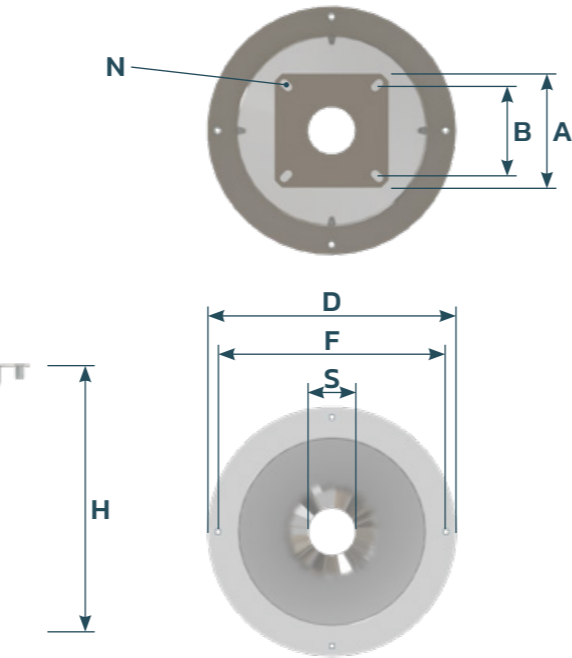
24 VDC or 230 VAC 6/8 bar - 0,63 nl/cycle



MODEL	Diameter [mm]	H [mm]	L [mm]	P [mm]
VRV40	40	242	142	324
VRV50	50	242	142	324
VRV60	60	304	161	426
VRV70	70	304	161	426



RECEIVER BASE - SMH



In case the material quantity needs to be reduced to a minimum, Vismec offers the small maintenance hopper version with only a cone and eventual pyrex part installed directly to the material receiver or hopper loader with following important features:

- completely made in stainless steel
- Pyrex base available

MODEL	CODE	Suitable receivers	H [mm]	F [mm]	D [mm]	B [mm]	A [mm]	S [mm]	N
SMH1	O2226	2-4 L	106	185	203	100x100	120x120	50	4xM6
SMH2	O2364	6-10 L	152	240	262	100x100	120x120	50	4xM6
SMH3	O2933	25-50 L	200	280	300	100x100	120x120	50	4xM6
2-4 L	O2225	-	237	185	-	100x100	120x120	50	4xM6
6-10 L	O2365	-	283	240	-	100x100	120x120	50	4xM6
25-50 L	-	-	331	280	-	100x100	120x120	50	4xM6

ACCESSORIES

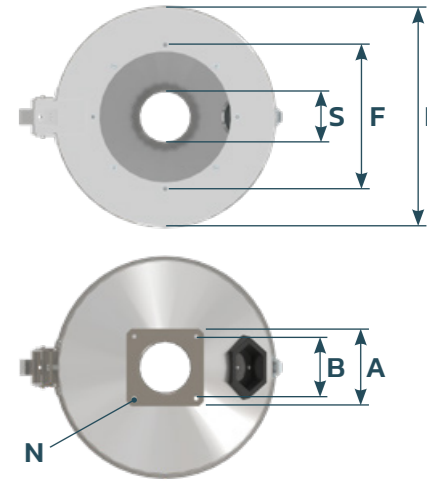
MACHINE HOPPERS - MH & MHI



Machine hopper 15 L



Machine hopper insulated 30 L



If a machine hopper is not available, or it is too big or too old Vismec offers stainless steel hoppers prepared to fit Vismec receivers and hopper loaders.

For Pre-dried materials it is also recommended to use fully insulated machine hoppers to prevent the material to cool down and pick up humidity again.

The main features are:

- completely made in stainless steel
- sight glass for inspection
- hinged lid with blockage in open position
- Pyrex base available

MODEL	CODE	Liters [L]	H [mm]	F [mm]	D [mm]	B [mm]	A [mm]	S [mm]	N
MH5	O1630	5	249	240	290	100x100	120x120	50	4xM6
MHI5	O3142	5	279	280	330	100x100	120x120	50	4xM6
MH15	O1631	15	316	280	330	100x100	120x120	70	4xM6
MHI15	O3143	15	358	280	380	100x100	120x120	70	4xM6
MH30	O1632	30	436	280	380	120x120	150x150	99	4xM6
MHI30	O3144	30	560	280	380	120x120	150x150	99	4xM6
MH50	O1633	50	450	280	510	120x120	150x150	99	4xM6
MHI50	O3145	50	490	280	555	120x120	150x150	99	4xM6
MH100	O1634	100	715	280	510	120x120	150x150	130	4xM6
MHI100	O3146	100	755	280	555	120x120	150x150	130	4xM6



DRYFEED



MODEL	Air Flow [m³/h]	Material pipe [mm]	Installed Power [kW]
D 40	6 - 25	40	2,07
D 50	20 - 50	50	4,2
D 60	30 - 80	60	5,5

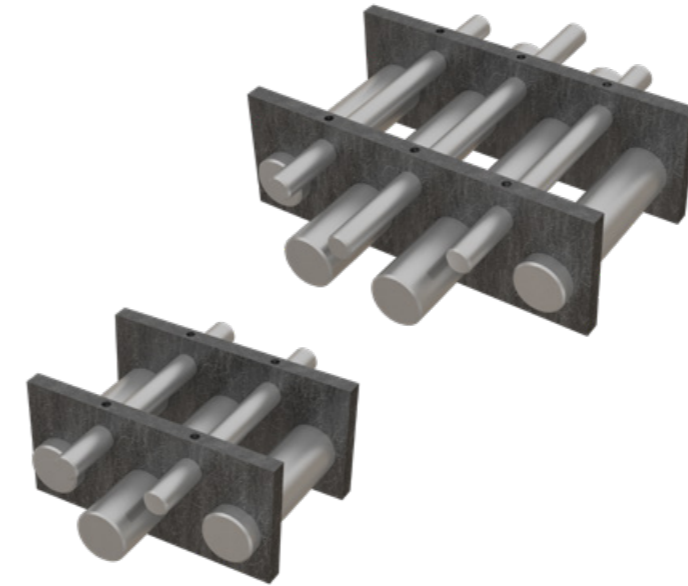
MODEL	L [mm]	P [mm]	H [mm]
D 40	324	690	522
D 50	385	825	842
D 60	385	825	842

ACCESSORIES

In case of central conveying of dried materials the Vismec Dryfeed provides dry air to the conveying process to avoid that the material can pick up humidity from the ambient during the transfer. A dedicated drying system for conveying also avoids the use of dry air from a material drying process. The Vismec Dryfeed system can be also installed on a third party conveying system.



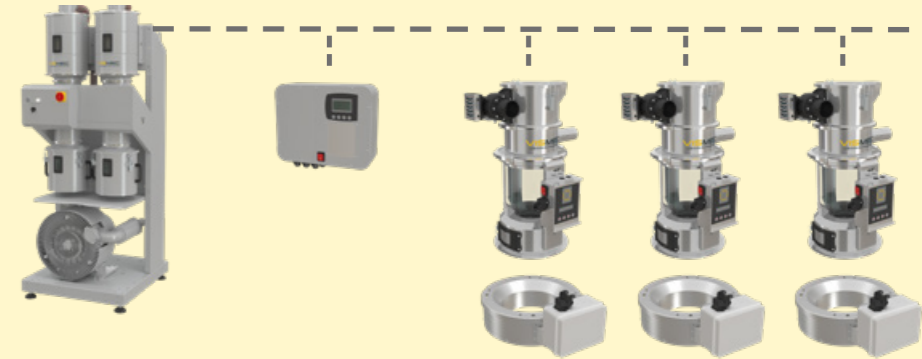
MAGNETIC SEPARATOR



MODEL	L [mm]	P [mm]	H [mm]
MSV5	146	125	60
MSV15	198	175	60
MSV25	246	230	60
MSV50	290	280	60

The magnetic separator is available as option and is positioned inside the receiver cone to eliminate ferrous materials from the plastic granules. On request also all metal separators are available as option.

HALO



The Vismec HALO is a weighing ring installed below a conveying station to measure in real-time the throughput in kg/h. An easy way to monitor the material consumption of a single machine and the complete production with data storage for long time analyzes. The conveying system can be a VISMEC or third party individual hopper loader or a central system receiver. The HALO is also available for integration in VISMEC drying systems to control the drying parameters according the real-time production needs.

ACCESSORIES

OIL TRAP



Main features

- Suitable for airflow up to 200 m³/h.
- Condensing at least 98% of the oils.
- Zero pressure drop.
- Maximum working temperature 200 °C.
- Stainless steel water connection.
- Glass oil collector.
- Suitable for medical and pharmaceutical applications.
- Second stage filtration system for 99,99% oil remove. (OPTIONAL)

MODEL	Temp. [°C]	Air Flow [m ³ /h]	Air hose [mm]	Water connection	Installed Power [kW]
Oiltrap 50	200	200	50	3/8" flow 30 lt/hr	0,7



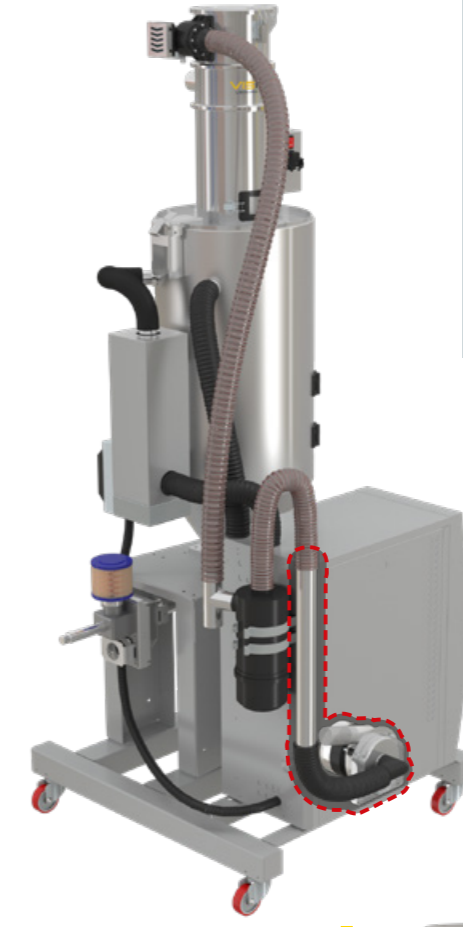
MODEL	L [mm]	P [mm]	H [mm]
Oiltrap 50	350	635	1.100



FEEDING KIT

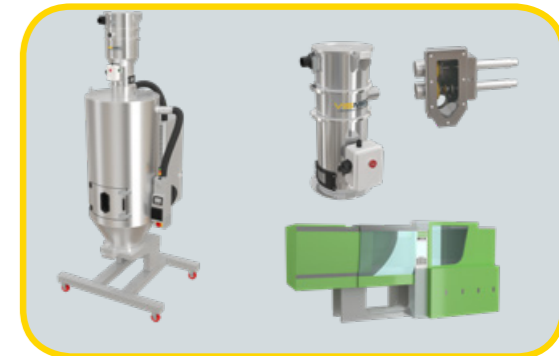
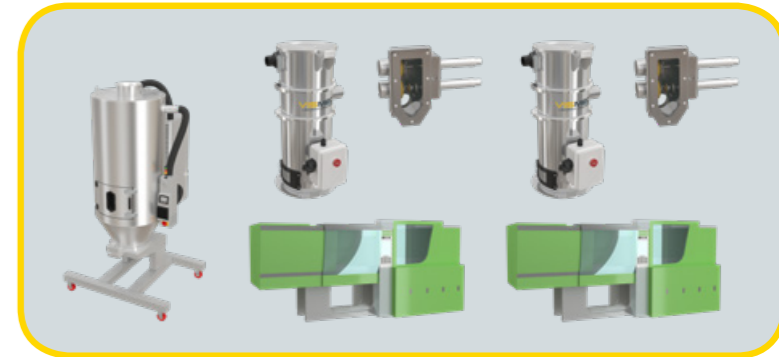


DW series with external blower

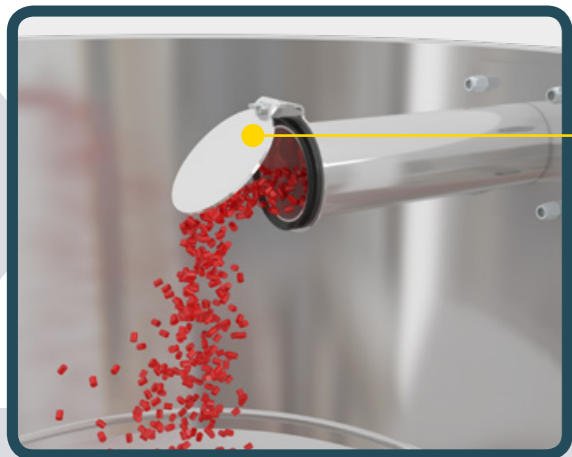


DP series with integrated blower

The Vismec feeding KIT uses a brushless single phase blower to connect up to two stations: - dryer and process machine or two machines. The control is integrated directly in the dryer, including also the possibility to setup a ratio valve. For larger drying systems and throughputs a standard side channel blower with cyclone filter can be integrated in stead of the brushless single phase blower.



ACCESSORIES

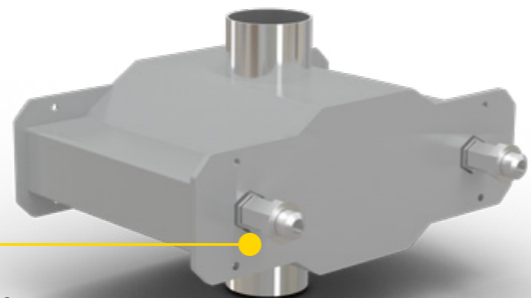


Hardned material inlet flap

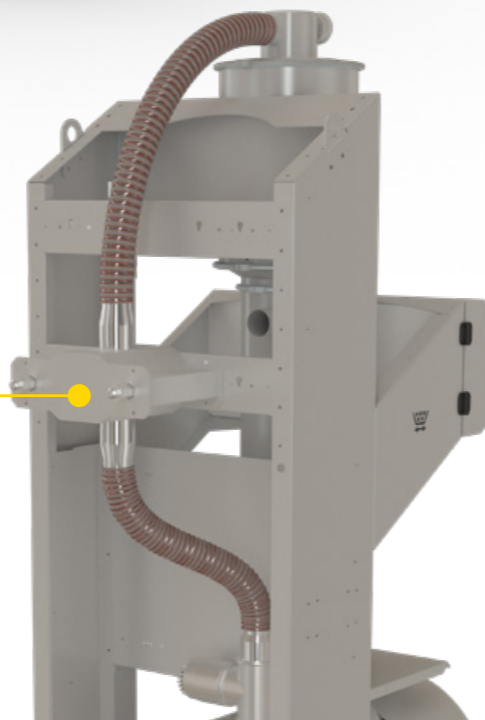


High heat discharge flap gasket

Return air cooler for high temperature conveying or ambient



Return air cooler installed on VB unit



MOUNTING MATERIAL



2 or 3 bolts pipe coupling



pipe fixing element



hose clamps



stainless steel quick coupling



mounting profile PT 1000



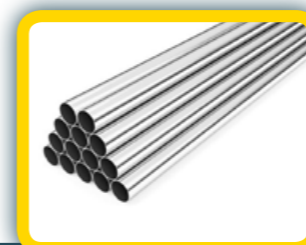
nuts, bolts, washers, ...



aluminium quick coupling



single or double pipe suction probes



stainless steel piping



vacuum stainless steel T connection



material stainless steel Y connection



stainless steel, Viscarb or glass bends



vacuum T connection



vacuum L connection



antistatic flexible heavy PUR hose



stainless steel flexible hose



contact us also for other products:



drying



dosing



grinding



storage



your local partner:

Vismec America inc.
151, Corporate Drive
Spartanburg, SC 29303
USA

Vismec s.r.l
via Thomas Edison 26
35012 - Camposampiero (PD)
Italy

+1 833 VISMECI
vismec.com

+39 049 0990339 / 5207854
vismec.com

